

3-13-2013

Adaptive user interface for semi-automatic operation of a remote-controlled, unmanned vehicle

Michael C. Dorneich
Iowa State University, dorneich@iastate.edu

Stephen Whitlow

William Rogers

Karen Feigh

Robert De Mers

Follow this and additional works at: http://lib.dr.iastate.edu/imse_patents



Part of the [Ergonomics Commons](#), and the [Operational Research Commons](#)

Recommended Citation

Dorneich, Michael C.; Whitlow, Stephen; Rogers, William; Feigh, Karen; and De Mers, Robert, "Adaptive user interface for semi-automatic operation of a remote-controlled, unmanned vehicle" (2013). *Industrial and Manufacturing Systems Engineering Patents*. 21. http://lib.dr.iastate.edu/imse_patents/21

This Patent is brought to you for free and open access by the Industrial and Manufacturing Systems Engineering at Iowa State University Digital Repository. It has been accepted for inclusion in Industrial and Manufacturing Systems Engineering Patents by an authorized administrator of Iowa State University Digital Repository. For more information, please contact digirep@iastate.edu.

Adaptive user interface for semi-automatic operation of a remote-controlled, unmanned vehicle

Abstract

The present invention provides a method as defined in claim 1. The method may include the features of any one or more of dependent claims 2 to 4.

The present invention provides a device as defined in claim 5. The device may include the features of any one or more of dependent claims 6 to 9.

A method is provided for semi-automatic operation of a portable control device for a remote-controlled unmanned vehicle. The method includes the steps of monitoring parameters of an operational environment of the portable control device, switching from a manual operation mode to a semi-automatic operation mode in response to measured and weighted combination of detected inputs and the monitored parameters within the operational environment, and, while in the semi-automatic operation mode, presenting a semi-automatic operation graphical user interface to a user of the portable control device. The semi-automatic operation graphical user interface includes a reduced set of user input requirements and a reduced set of information displayed for the semi-automatic operation mode presented by the portable control device.

In addition, a portable control device is provided for remotely controlling a unmanned vehicle. The portable control device includes a graphic user interface (GUI) and a controller. The GUI presents information thereon to a user of the portable control device and receives user inputs thereby. The controller is coupled to the GUI and controls the operational mode of the portable control device. The controller switches from a manual operation mode to a semi-automatic operation mode in response to a measured and weighted combination of detected inputs and the monitored parameters within the operational environment of the portable control device (including user control of modes) and provides GUI operational signals to the GUI device for presenting a semi-automatic operation graphical user interface to the user while in the semi-automatic operation mode, the semi-automatic operation graphical user interface including a reduced set of user input requirements and a reduced set of information displayed for the semi-automatic operation mode presented by the portable control device.

Further, an unmanned vehicle system is provided which includes a remote-controlled unmanned vehicle and a portable control device. The portable control device is coupled to the unmanned vehicle, providing operational control signals thereto and receiving operational parameter signals and video signals therefrom. The unmanned vehicle includes communication circuitry, a movement control module, an unmanned vehicle controller, and a visual recording module. The communication circuitry of the unmanned vehicle receives operational control signals from the portable control device and transmits operational parameter signals and visual signals to the portable control device. The movement control module controls the movement of the unmanned vehicle in response to movement control signals and generates a first portion of the operational parameter signals in response to operation of the movement control module. The surveillance vehicle controller is coupled to the communication circuitry. In addition, the surveillance vehicle controller is coupled to the movement control module and generates the movement control signals in response to a first portion of the operational control signals. The visual recording module records visual signals representative of one or more views from the unmanned vehicle in response to visual control signals and generates a second portion of the operational parameter signals in response to operation of the visual recording module. The unmanned vehicle controller is also coupled to the visual recording module and generates the visual control

signals in response to a second portion of the operational control signals. The portable control device includes communication circuitry, a graphic user interface (GUI), and a portable control device controller. The communication circuitry of the portable control device receives the operational parameter signals and the visual signals from the unmanned vehicle and transmits the operational control signals. The GUI presents visual information to a user of the portable control device and receives user inputs thereby. The portable control device controller is coupled to the GUI and controls the operational mode of the portable control device. The portable control device controller monitors an operational environment of the portable control device and switches from a manual operation mode to a semi-automatic operation mode in response to a measured and weighted combination of detected inputs and monitored parameters within the operational environment of the portable control device, the controller providing GUI operational signals to the GUI for presenting a semi-automatic operation graphical user interface to the user while in the semi-automatic operation mode, the semi-automatic operation graphical user interface including a reduced set of user interfaces for the semi-automatic operation mode presented by the portable control device.

Disciplines

Ergonomics | Operational Research | Operations Research, Systems Engineering and Industrial Engineering

(19)



(11)

EP 2 256 571 B1

(12)

EUROPEAN PATENT SPECIFICATION

(45) Date of publication and mention of the grant of the patent:
13.03.2013 Bulletin 2013/11

(51) Int Cl.:
G05D 1/00 (2006.01) B64C 39/02 (2006.01)

(21) Application number: **10162877.4**

(22) Date of filing: **14.05.2010**

(54) **Adaptive user interface for semi-automatic operation of a remot-controlled, unmanned vehicle**

Adaptive Benutzerschnittstelle zur halbautomatischen Fernsteuerung eines unbemannten Fahrzeugs

Interface utilisateur adaptative pour la commande semi-automatique à distance d'un véhicule sans pilote

(84) Designated Contracting States:
AL AT BE BG CH CY CZ DE DK EE ES FI FR GB GR HR HU IE IS IT LI LT LU LV MC MK MT NL NO PL PT RO SE SI SK SM TR

(74) Representative: **Buckley, Guy Julian**
Patent Outsourcing Limited
1 King Street
Bakewell
Derbyshire DE45 1DZ (GB)

(30) Priority: **27.05.2009 US 473114**

(56) References cited:
US-A1- 2010 084 513

(43) Date of publication of application:
01.12.2010 Bulletin 2010/48

- MITCHELL M. ROHDE ET AL: "PointCom: Semi-Autonomous UGV Control with Intuitive Interface", PROC OF SPIE, vol. 6962, 2008, pages 1-10, XP040437336,
- TAO K S ET AL: "A multi-agent operator interface for unmanned aerial vehicles", DIGITAL AVIONICS SYSTEMS CONFERENCE, 1999. PROCEEDINGS. 18TH ST LOUIS, MO, USA 24-29 OCT. 1999, PISCATAWAY, NJ, USA, IEEE, US, vol. B.6-6 vol.2, 24 October 1999 (1999-10-24), XP010501302, ISBN: 978-0-7803-5749-5
- LAURENT VASSEURA ET AL: "Constrained navigation for unmanned systems", PROC OF SPIE, vol. 5804, 2005, pages 371-383, XP040204466,

(73) Proprietor: **Honeywell International Inc.**
Morristown, NJ 07962 (US)

- (72) Inventors:
- Dorneich, Michael Christian
Morristown, NJ 07962-2245 (US)
 - Whitlow, Stephen
Morristown, NJ 07962-2245 (US)
 - Rogers, William
Morristown, NJ 07962-2245 (US)
 - Feigh, Karen
Morristown, NJ 07962-2245 (US)
 - De Mers, Robert E.
Morristown, NJ 07962-2245 (US)

EP 2 256 571 B1

Note: Within nine months of the publication of the mention of the grant of the European patent in the European Patent Bulletin, any person may give notice to the European Patent Office of opposition to that patent, in accordance with the Implementing Regulations. Notice of opposition shall not be deemed to have been filed until the opposition fee has been paid. (Art. 99(1) European Patent Convention).

Description

FIELD OF THE INVENTION

[0001] The present invention generally relates to adaptive user interfaces, and more particularly relates to a method and apparatus for automatically adapting user interfaces for streamlined user input supported by semi-automatic operation.

BACKGROUND OF THE INVENTION

[0002] Unmanned, remote-controlled vehicles are unmanned air, ground or other vehicles which provide specific functions at locations remote from a surveillance vehicle operator or controller, such as surveillance or reconnaissance, transportation of detectors or devices (e.g., weapons), and/or functioning as a decoy. Some unmanned vehicles, such as micro air surveillance vehicles, are designed to be small in size to allow portability and, when performing surveillance, to provide reconnaissance in a limited area close to the operator or controller. For example, in a military setting, an unmanned vehicle could be used to provide video reconnaissance for a military group, transport weapons, or function as a decoy. The operation of the unmanned vehicle is remotely controlled by an operator using a portable control unit and traveling with the military group. Manual operation of both the unmanned vehicle's operation and, if applicable, the video signals received therefrom can be controlled by a fully-engaged operator, requiring both attention and dexterity. For instance, to steer the unmanned vehicle, the operator is required to input commands via user interfaces to control movement in one or more linear or angular dimensions. When the military group is on the move, such levels of operator attention and dexterity is difficult to maintain. For example, the operator may be moving or may have to multi-task operation of the unmanned vehicle with other tasks and/or duties, dividing his attention between the portable control unit and the outside world.

[0003] Most unmanned vehicles have a travel plan uploaded to the vehicle and, thereafter, operate automatically in accordance with the plan and/or operate manually in accordance with manual commands inputted by the operator via the user interfaces. Accordingly, automatic operation typically requires the surveillance vehicle to travel to a specified location and/or altitude in accordance with the travel plan. Such automatic operation, however, may render the video information provided by the unmanned vehicle less usable for reconnaissance because changing conditions may change the locations, persons, or devices to be observed. Accordingly, manual operation may be required to assure high valued results. Yet, as described hereinabove, manual operation is difficult in many situations.

[0004] A portable control device for an unmanned vehicle comprising a manual and a semi-automatic operation mode is known from the article "pointcom;" Seme-

Autonomous urg control with intuitive interface " by Mitchell M. Rohde et al., Proc. of SPIE Vol. 6962.

[0005] Thus, what is needed is a semi-automatic operation mode for the air unmanned vehicle to provide a reduced set of user input requirements and a reduced set of information displayed and a method and apparatus for automatically adapting user interfaces for the semi-automatic operation in response to an occurrence of changes in various parameters within an operational environment. Furthermore, other desirable features and characteristics of the present invention will become apparent from the subsequent detailed description of the invention and the appended claims, taken in conjunction with the accompanying drawings and this background of the invention.

BRIEF SUMMARY OF THE INVENTION

[0006] The present invention provides a method as defined in claim 1. The method may include the features of any one or more of dependent claims 2 to 4.

[0007] The present invention provides a device as defined in claim 5. The device may include the features of any one or more of dependent claims 6 to 9.

[0008] A method is provided for semi-automatic operation of a portable control device for a remote-controlled unmanned vehicle. The method includes the steps of monitoring parameters of an operational environment of the portable control device, switching from a manual operation mode to a semi-automatic operation mode in response to measured and weighted combination of detected inputs and the monitored parameters within the operational environment, and, while in the semi-automatic operation mode, presenting a semi-automatic operation graphical user interface to a user of the portable control device. The semi-automatic operation graphical user interface includes a reduced set of user input requirements and a reduced set of information displayed for the semi-automatic operation mode presented by the portable control device.

[0009] In addition, a portable control device is provided for remotely controlling a unmanned vehicle. The portable control device includes a graphic user interface (GUI) and a controller. The GUI presents information thereon to a user of the portable control device and receives user inputs thereby. The controller is coupled to the GUI and controls the operational mode of the portable control device. The controller switches from a manual operation mode to a semi-automatic operation mode in response to a measured and weighted combination of detected inputs and the monitored parameters within the operational environment of the portable control device (including user control of modes) and provides GUI operational signals to the GUI device for presenting a semi-automatic operation graphical user interface to the user while in the semi-automatic operation mode, the semi-automatic operation graphical user interface including a reduced set of user input requirements and a reduced set of informa-

tion displayed for the semi-automatic operation mode presented by the portable control device.

[0010] Further, an unmanned vehicle system is provided which includes a remote-controlled unmanned vehicle and a portable control device. The portable control device is coupled to the unmanned vehicle, providing operational control signals thereto and receiving operational parameter signals and video signals therefrom. The unmanned vehicle includes communication circuitry, a movement control module, an unmanned vehicle controller, and a visual recording module. The communication circuitry of the unmanned vehicle receives operational control signals from the portable control device and transmits operational parameter signals and visual signals to the portable control device. The movement control module controls the movement of the unmanned vehicle in response to movement control signals and generates a first portion of the operational parameter signals in response to operation of the movement control module. The surveillance vehicle controller is coupled to the communication circuitry. In addition, the surveillance vehicle controller is coupled to the movement control module and generates the movement control signals in response to a first portion of the operational control signals. The visual recording module records visual signals representative of one or more views from the unmanned vehicle in response to visual control signals and generates a second portion of the operational parameter signals in response to operation of the visual recording module. The unmanned vehicle controller is also coupled to the visual recording module and generates the visual control signals in response to a second portion of the operational control signals. The portable control device includes communication circuitry, a graphic user interface (GUI), and a portable control device controller. The communication circuitry of the portable control device receives the operational parameter signals and the visual signals from the unmanned vehicle and transmits the operational control signals. The GUI presents visual information to a user of the portable control device and receives user inputs thereby. The portable control device controller is coupled to the GUI and controls the operational mode of the portable control device. The portable control device controller monitors an operational environment of the portable control device and switches from a manual operation mode to a semi-automatic operation mode in response to a measured and weighted combination of detected inputs and monitored parameters within the operational environment of the portable control device, the controller providing GUI operational signals to the GUI for presenting a semi-automatic operation graphical user interface to the user while in the semi-automatic operation mode, the semi-automatic operation graphical user interface including a reduced set of user interfaces for the semi-automatic operation mode presented by the portable control device.

BRIEF DESCRIPTION OF THE DRAWINGS

[0011] The present invention will hereinafter be described in conjunction with the following drawing figures, wherein like numerals denote like elements, and

[0012] FIG. 1 illustrates an unmanned vehicle system including an unmanned vehicle and a portable control device in accordance with an embodiment of the present invention;

[0013] FIG. 2 is a block diagram illustrating an unmanned vehicle of the system of FIG. 1 in accordance with the present embodiment;

[0014] FIG. 3 is a block diagram illustrating a portable control device for the unmanned vehicle of FIG. 2 in accordance with the present embodiment;

[0015] FIG. 4 is a planar view of a semi-automatic operation display on a graphical user interface of the portable control device of FIG. 3 in accordance with the present embodiment; and

[0016] FIG. 5 is a depiction of an operation of a controller of the portable control device of FIG. 3 when switching from a manual operation mode to a semi-automatic operation mode in accordance with the present embodiment.

DETAILED DESCRIPTION OF THE INVENTION

[0017] The following detailed description of the invention is merely exemplary in nature and is not intended to limit the invention or the application and uses of the invention. Furthermore, there is no intention to be bound by any theory presented in the preceding background of the invention or the following detailed description of the invention.

[0018] Referring to FIG. 1, an unmanned vehicle system 100 in accordance with an embodiment of the present invention includes a remote unmanned vehicle 102 coupled to a portable control device 104. The unmanned vehicle 102 could be an air surveillance vehicle, such as a portable micro air surveillance vehicle with flight capability, or an unmanned ground surveillance vehicle capable of movement across terrain. Whether the unmanned vehicle 102 is an air or ground vehicle, it can be assigned functions other than or in addition to remote reconnaissance, such as payload delivery. The portable control device 104 is wirelessly coupled to the remote unmanned surveillance vehicle 102 via a radio frequency (RF) wireless link 108 for providing operational control signals thereto for control of the operation of the unmanned vehicle 102. A user or operator of the portable control device 104 enters control commands on a graphic user interface 106 for operation of the unmanned vehicle 102 and control of the surveillance information recorded by the unmanned vehicle 102. While the unmanned vehicle system 100 of FIG. 1 depicts the RF wireless connection 108 between the unmanned vehicle 102 and the portable control device 104, the connection could also be a wired connection or a non-RF wireless connection.

[0019] Referring next to FIG. 2, a block diagram 200 depicts basic components of the unmanned vehicle 102 in accordance with the present embodiment. The unmanned vehicle 102 includes an antenna 202 for receiving radio frequency (RF) signals from and transmitting RF signals to the portable control device 104. The antenna 202 is coupled to communication circuitry 204. The communication circuitry 204 includes receiver circuitry 206 for demodulating and decoding the RF signals to recover operational control signals therefrom and is coupled to a surveillance vehicle controller 208 for providing the operational control signals thereto. The communication circuitry 204 also includes transmitter circuitry 210 for receiving information from the controller 208 and generating RF signals in response thereto by encoding the information and modulating the encoded information onto RF waves within RF channels utilized for the wireless link with the portable control device 104.

[0020] The unmanned vehicle 102 also includes a non-volatile memory 212 coupled to the controller 208 and storing information for operation of the unmanned vehicle 102 in accordance with the preferred embodiment. The unmanned vehicle 102 also includes a movement control module 213 for control of the direction of travel of the unmanned vehicle 102 as well as monitoring its operational conditions to generate a first portion of operational parameter signals in response to operation of the movement control module 213.

[0021] A visual recording module 222, such as one or more remotely controllable electro-optical or infrared digital still or video cameras, performs the surveillance function for the unmanned vehicle 102 and operates in response to visual device control signals from the controller 208. The visual device control signals control, for example, the focus, the zoom, the pitch and the direction of devices within the visual recording module 222 as it records visual signals representative of one or more views from the unmanned vehicle 102.

[0022] The movement control module 213 operates in response to movement control signals from the controller 208 and provides the first portion of the operational parameter signals to the controller 208. The visual recording module 222 provides the visual signals and a second portion of the operational parameter signals to the controller 208, the second portion of the operational parameter signals generated by the visual recording module 222 in response to the operation of video recording devices (e.g., cameras) therein. The controller 208 generates the movement control signals and the visual device control signals in response to the operational control signals received thereby. In addition, the controller 208 provides the operational parameter signals and the visual signals to the transmitter circuitry 210 for forwarding to the portable control unit 104, the operational parameter signals utilized by the portable control unit 104 operator to monitor the operation of the components of the unmanned vehicle 102.

[0023] Global Positioning System (GPS) receiver cir-

cuitry 224 receives GPS signals via an antenna 226 tuned to a GPS signaling channel and generates location signals corresponding to a location of the unmanned vehicle 102 in response to the GPS signals received thereby, the GPS receiver circuitry being coupled to the controller 208 for providing the location signals thereto. The controller 208 provides the location signals as a portion of the operational parameter signals to the transmitter circuitry 210 for transmission to the portable control unit 104. While GPS receiver circuitry 224 is depicted in FIG. 2 for deriving the location signals, the present invention is not limited to GPS-derived location signals as location information derived from any source would serve the same function in accordance with the present embodiment.

[0024] In addition to functioning in accordance with the operational signals received by the controller 208, the controller 208 also generates movement control signals for autonomous operation of the unmanned vehicle 102. For example, functions such as takeoff and landing of an air surveillance vehicle may be autonomously controlled in accordance with operational control signals generated by the controller 208 in accordance with instructions stored in the controller 208 and/or the memory 212. Detection of obstacles such as buildings or hills and obstacle avoidance are also autonomous operations which are handled by the controller 208 and other circuitry of the unmanned vehicle 102. Also, when the surveillance system 100 switches to an automatic operation mode, the controller 208 assumes autonomous control of the movement and visual recording for the unmanned vehicle 102. Further, when the surveillance system 100 switches to a semi-automatic operation mode in accordance with the present embodiment, the controller 208 assumes autonomous control of some of the movement and visual recording functions for the micro air surveillance vehicle 102 as described hereinbelow. While several components of an exemplary unmanned vehicle 102 are depicted in FIG. 2 and described herein, those skilled in the art will realize that any number of additional components could be incorporated within the unmanned vehicle 102 to provide additional capability and functionality therefor.

[0025] Referring to FIG. 3, a block diagram 300 depicts basic components of the portable control unit 104 in accordance with the present embodiment. The portable control unit 104 includes an antenna 302 for receiving the RF signals from and transmitting the RF signals to the unmanned vehicle 102. The antenna 302 is coupled to communication circuitry 304. The communication circuitry 304 includes receiver circuitry 306 for demodulating and decoding the RF signals to recover operational parameter signals and visual signals therefrom and is coupled to a portable control unit controller 308 for providing the operational parameter signals and the visual signals thereto. The communication circuitry 304 also includes transmitter circuitry 310 for receiving operational control signals from the controller 308 and generating RF signals in response thereto for transmission across the

wireless link to the unmanned vehicle 102.

[0026] The portable control unit 104 also includes a nonvolatile memory 312 coupled to the controller 308 and storing information for operation of the portable control unit 104 in accordance with the preferred embodiment. The nonvolatile memory 312 also includes sufficient memory capacity for storing the visual signals received from the micro air surveillance vehicle 102. Global Positioning System (GPS) receiver circuitry 314 receives GPS signals via an antenna 316 tuned to the GPS signaling channel and generates location signals corresponding to a location of the portable control unit 104 in response to the GPS signals received thereby, the GPS receiver circuitry 314 being coupled to the controller 308 for providing the location signals thereto.

[0027] In accordance with the present embodiment, the graphic user interface (GUI) 106 presents visual information including user interfaces to an operator or user of the portable control unit 104 and for providing information thereto and receiving user inputs thereby. The visual information displayed by the GUI 106 presents one or more user input devices, a graphical map view depicting a location of the unmanned vehicle 102 and its predetermined movement path, and a display of the visual signals received from the unmanned vehicle 102. In accordance with the present embodiment, a semi-automatic graphical user interface is generated in response to a measured and weighted combination of detected inputs and monitored parameters within the operational environment of the portable control unit 104 and is presented by the GUI 106. The semi-automatic graphical user interface is a decluttered graphical user interface including a reduced set of controls and information which includes a reduced set of user input devices including low dexterity input devices and limited action input devices, a graphical map view depicting at least a location of the unmanned vehicle 102, and a visual feed view generated from visual signals received from the unmanned vehicle 102.

[0028] In addition to the graphic user interface 106, the portable control unit 104 may include other user input devices 320 such as a power control switch or other devoted switches or buttons and other user sensible output devices 322 such as an audio output device for sounding alerts. Power control circuitry 324 receives power control signals from the controller 308 and, in response thereto, provides power from a battery 326 to components of the portable control unit 104 such as the transceiver circuitry 304, the controller 308 the graphical user interface 106, and the GPS receiver circuitry 314. Also, an environmental sensor 328 generates a signal in response to detecting environmental changes within the operational environment of the portable control unit 104 and provides the movement signal to the controller 308. The environmental changes include environmental changes such as recognition of gunshots or detection of an increase or decrease in noise level within the operational environment, movement of the portable control unit, or a change in a body position of an operator of the portable control unit.

[0029] The controller 308 also includes a workload measuring module 330 which monitors user activity on the graphical user interface 106 as a function of time. While manual operation of both the unmanned vehicle 102 operation and the visual signals received therefrom can be controlled by a single operator, the operator should be fully-engaged as manual operation of the portable control unit requires both attention and dexterity for manual flight planning and control as well as display and storage of the visual signals. The operator is responsible for management of vehicle movement, video feed management and communication functions, including monitoring of operational parameters and responding to changes in the operational environment. While the operator can prepare a movement plan in advance and upload a predetermined path to the unmanned vehicle 102, manual intervention is typically required in response to the nature and quality of the visual signals received from the unmanned vehicle 102 and obstacles or features in the uploaded path. Further, the operator is expected to interpret the surveillance information for reconnaissance and communicate the interpretations to others. Therefore, in accordance with the present embodiment, the workload measuring module 330 monitors user operation of the portable control device 104 and generates a user workload signal in response to detection of a change in user workload (e.g., an increase or decrease in the user workload).

[0030] In accordance with the present embodiment, the controller 308 switches from a manual operation mode to a semi-automatic operation mode in response to a measured and weighted combination of detected inputs and the monitored parameters within the operational environment of the surveillance system 100 such as movement of the portable control unit 104 as indicated by the movement signal, user inattention as indicated by the user workload signal, or an increase in the user's workload as indicated by the user workload signal.

In other words, the controller 308 includes GUI management functionality which monitors multiple inputs and parameters from the unmanned vehicle 102, the portable control unit 104, the user, and network context information and weights a combination of these detected inputs and monitored parameters to determine when and how to adapt the GUI 10 for the semi-automatic operation mode. The weighted combination may be a predetermined formula or may alter the weighting factors or the combination formula over time in response to a learning algorithm or other contextually-derived learning formula. In addition, the weighted combination may change over time by alterations to the weighting factors or combination formula or both entered manually by the operator. Therefore, when the signal from the environmental sensor 328 indicates that the portable control unit 104 is moving, the GUI management functionality considers this factor in combination with other factors to determine if the operator will require simplified manual control. In addition, the user workload signal may indicate that the operator's at-

tention may not be sufficient for the manual operation mode. Thus, the GUI management functionality of the controller 308 switches to the semi-automatic operation mode in accordance with the present embodiment to provide a decluttered presentation of information and controls on the GUI 106 by presenting a reduced number of control buttons sized for reduced dexterity and having a simplified menu structure for limited action (e.g., one or two touch) input commands as well as resizing graphic information for display on the GUI 106.

[0031] When switching to the semi-automatic operation mode, the controller 308 provides GUI operational signals to the graphic user interface 106 for displaying a semi-automatic graphical user interface on the GUI 106. FIG. 4 depicts a view 400 of an exemplary semi-automatic graphical user interface in accordance with the present embodiment. The semi-automatic graphical user interface includes a graphical map view 402 depicting a preloaded path 404 for movement of the unmanned vehicle 102 and its present location 406. The graphical map view 402 is annotated with points of interest such as buildings, ground coverage and hills or lakes. Alternatively, the graphical map view could be an aerial photograph with the movement path 404 and the present location 406 overlaid thereon. While a full graphical map view including a multitude of points of interest may be accessible in the full manual mode and, when accessed may cover the entire display of the GUI 106, the graphical map view 402 of the semi-automatic graphical user interface only shows information which supports simplified manual control in accordance with the decluttered view for the semi-automatic operation mode.

[0032] Along with the graphical map view 402, the semi-automatic graphical user interface includes a display 407 of the visual signals (e.g., photos or video feed) received from the unmanned vehicle 102. The display 407 could depict a full view of the video feed or could display a partial view of the video signals such as a predetermined portion of the center of the video feed view in order to be easily visible while occupying only a portion of the touchscreen display.

[0033] Finally, the semi-automatic graphical user interface includes a user input section 408 incorporating a reduced set of one or more predetermined user input devices displayed on the GUI 106. A first vehicle control section 410 includes linear directional low dexterity input devices 412 displayed for control of the movement of the unmanned vehicle 102, such as directional thrust control. A second vehicle control section 414 includes both vertical up and down control fat finger input devices 416 and left and right angular control fat finger input devices 418 displayed for flight control of the unmanned vehicle 102. The fat finger input devices 412, 414, 416 are large buttons which facilitate input control during low dexterity operational conditions (e.g., while a user is moving). In addition, for simplified movement control, the input devices 412, 414, 416 are provided only for the basic or cardinal directions. If the operator desires more controllability and

is able to provide the attention needed for such control, he can switch operation of the portable control unit 104 back to manual operation mode.

[0034] A quick command section 420 includes a plurality of quick button input devices 422 displayed on the touchscreen display 318. The quick button input devices are a small number of limited action commands which require only one or two actions to engage and are provided in a low dexterity (e.g., fat finger) format. For example, the LAUNCH NOW quick button input device 422 will trigger an automated sequence in the unmanned vehicle 102 to cause it to takeoff and proceed upon its predetermined path. The LAND NOW quick button input device 424 will trigger an automated sequence in the unmanned vehicle 102 to cause it to land immediately or return to its predetermined landing point and land. And the FOLLOW ME quick button input device 426 will signal the unmanned vehicle 102 to alter its travel path in response to the geo-location signals of the portable control unit so that the unmanned vehicle 102 will follow the user.

[0035] While limited action commands of quick button input devices 422, 424, 426 are single action input devices, some limited action commands may require two actions. For example, the FOLLOW OBJECT... quick button input device 428 requires a second input on the graphical map view 402 or the visual view 407 to indicate an object to follow, the unmanned vehicle controlling its movement to match movement of the identified object. The GO TO... quick button input device 430 requires a second input at a location on the graphical map view 402 to indicate where the unmanned vehicle 102 is instructed to travel. The GO THAT WAY... quick button input device 432 requires a second input on, for example, either a directional indicator 412, 416, 418 in the vehicle control sections 410, 414 to indicate a direction in which the unmanned vehicle 102 is instructed to travel, or a location on the graphical map view 402 to indicate a direction in which the unmanned vehicle 102 is instructed to travel. The SEARCH OBJECT quick button input device 434 requires a second input on an object depicted in the graphical view 402 or the visual view 407 to indicate an object about which the user desires more information and the unmanned vehicle will circle and/or focus in on the object identified. And the SEARCH RADIUS quick button input device 436 requires a second input defining an area on the graphical map view to indicate in which the unmanned vehicle 102 is instructed to travel. While specific exemplary quick button input devices and their functionality have been described hereinabove, those skilled in the art will realize that other functionalities can be assigned to the quick button input devices 422, 424, 426, 428, 430, 432, 434, 436 and/or other quick button input devices can be added without departing from the spirit of the present invention.

[0036] The bottom three quick button input devices switch the operational mode between MANUAL 438 and EASY 440 (a designation for the semi-automatic operation mode) or FLIGHT PLAN 442 (fully automated control

along the entire travel path).

[0037] The view 400 of the semi-automatic graphical user interface in accordance with the present embodiment is an exemplary view and other semi-automatic graphical user interfaces may be utilized. In accordance with the present embodiment, the semi-automatic graphical user interface would include one or more predetermined user input devices. Each user input device is provided for a simplified command, such as a limited action input device requiring only one or two actions to engage and/or simplified directional controls, in a low dexterity format for ease of finger inputs on the GUI 106 during, for example, movement of the portable control unit 104. The visual information, such as the graphical map view 402 and the video display 408 can be full or partial views and can be alternatively displayed or, as shown, displayed together. Alternatively, a simplified semi-automatic graphical user interface can also be provided with the graphical map view 402 and the video display 407 as selectable views which are displayed in response to a quick command from selection of a quick button input device (not shown).

[0038] Referring to FIG. 5, a depiction 500 of an operation of the portable control unit controller 308 when switching from a manual operation mode to a semi-automatic operation mode in accordance with the present embodiment is depicted. In accordance with the present embodiment, the controller 308 monitors parameters of an operational environment of the portable control unit 104, such as parameters measuring the cognitive state of the user (e.g., the user workload signal from the workload measuring module 330) or the physical state of the user (e.g., the movement signal from the movement sensor 328). When certain sensor-based triggers 502 are received within a context of network context information 504, the controller 308 determines whether these contextual triggers (i.e., detected inputs and monitored parameters) encompass a measured and weighted combination of the detected inputs and the monitored parameters within the operational environment of the portable control unit 104 sufficient to switch from a manual operation mode to a semi-automatic operation mode.

[0039] Sensor based triggers 502 in accordance with the present embodiment may include environmental change detection 506, detection of a change in user attention 508, a change in user workload 510 or detection of a user input 512. Detection of these triggers by signals received by the controller 308 does not alone cause the controller 308 to switch operational modes. The controller 308 weighs the combination of triggers within the context of various network context information 504 indicating the operational environment of the surveillance system 100 such as mission tasks 514 preloaded to the portable control unit 104 and the unmanned vehicle 102, rules of engagement 516 defining the permissible actions for the unmanned vehicle 102, task performance 518 by the unmanned vehicle 102, and the vehicle system state 520 of the unmanned vehicle 102. The controller 308 can

access this context information 504 as preloaded information in the portable control unit 104, information communicated by the unmanned vehicle 102 to the portable control unit 104, or information communicated to or retrieved by the portable control unit 104 from other sources.

[0040] In accordance with the present embodiment, the environmental sensor 328 may include a motion detector (e.g., an accelerometer) for detecting movement of the portable control unit 104, one or more noise sensors for detecting increases or decreases in noise around the portable control unit 104, sensors on the user's body to detect body positions (e.g., upright, kneeling or prone) and/or other such sensors to detect changes in the environment around the portable control unit 104. The portable control unit controller 308 can weigh the various environmental changes detected by the environmental sensor 328 and determine whether or not to switch the operational mode of the portable control unit 104 in response thereto.

[0041] Thus, in accordance with the present embodiment, the controller 308 switches from a manual or fully automated operation mode to a semi-automatic operation mode by making a contextual determination of (a) whether manual control is needed 522 when motion is detected 506, (b) whether a user's attention is sufficient to task demands 524 in response to detection of a user's drop in attention 508, (c) whether a drop in performance is predicted 526 in response to detection of a workload increase 510, or detection of a predetermined input 512 indicating that the user wishes to switch operational modes 528. Thus it can be seen that the present embodiment provides a framework for the controller to contextually trigger a switch from a manual operation mode to a semi-automatic operation mode in response to occurrence of predetermined criteria within the operational environment of the surveillance system 100 as determined by the controller 308. The user input 512 which authorizes the portable communication device 104 to switch operational modes could be a user input requesting switching of operational modes, a user semi-automatic mode approval input responding to a request for approval of operational mode switching generated by the controller 308 and presented to the user, or a user input adjusting the weighted combination to provide means for the controller 308 calculating an adjusted weighted combination.

[0042] The controller 308 may change the weighting factors or the combination formula over time in response to a learning algorithm or other contextually-derived learning formula. In this manner, the controller 308 can "learn" which user attention 508 and performance 510 require a switch in operational modes. In addition, the weighted combination may change over time by alterations to the weighting factors and/or the combination formula that are entered manually by the operator of the portable control device 104.

[0043] When switching to the semi-automatic operation mode, the controller 308 utilizes an interface adap-

tation manager 530 to declutter the GUI 106 by reducing the number of control buttons 532 to a number of predetermined user input devices, thereby presenting a reduced set of user interfaces on the GUI 106. The interface adaptation manager 530 also presents optimally sized controls and graphics 534 which includes graphic and visual displays 402, 407 and low dexterity sized input devices (e.g., fat finger buttons). And a number of limited action buttons (quick buttons) 536 are provided to facilitate control of the unmanned vehicle 102. In this manner, reduced information is provided 538 on the GUI 106 and the controller 308 provides a simplified menu structure 540 for simplified user control.

[0044] Thus it can be seen that a semi-automatic operation mode for the surveillance system 100 and a method and apparatus for automatically adapting user interfaces for the semi-automatic operation in response to occurrence of predetermined criteria within the operational environment of a surveillance system 100 has been provided. While at least one exemplary embodiment has been presented in the foregoing detailed description of the invention, it should be appreciated that a vast number of variations exist. It should also be appreciated that the exemplary embodiment or exemplary embodiments are only examples, and are not intended to limit the scope, applicability, or configuration of the invention in any way. Rather, the foregoing detailed description will provide those skilled in the art with a convenient road map for implementing an exemplary embodiment of the invention, it being understood that various changes may be made in the function and arrangement of elements described in an exemplary embodiment without departing from the scope of the invention as set forth in the appended claims.

Claims

- 1. A method for semi-automatic operation of a portable control device (104) for an unmanned vehicle (102), the method comprising the steps of:

- monitoring parameters of an operational environment of the portable control device (104);
- weighting the parameters and detected inputs from the portable control device;
- switching from a manual operation mode to a semi-automatic operation mode in response to the weighting ; and
- while in the semi-automatic operation mode, presenting a semi-automatic operation graphical user interface (106) to a user of the portable control device (104), wherein the semi-automatic operation graphical user interface (106) comprises a reduced set of user interfaces for the semi-automatic operation mode presented by the portable control device (104).

- 2. The method in accordance with Claim 1 wherein the step of monitoring parameters of the operational environment includes the step of determining one of movement of the portable control device (104), noise within the operational environment of the portable control device (104), user body position, or user operation of the portable control device (104) within a predetermined period of time.
- 3. The method in accordance with Claim 1 wherein the step of presenting the semi-automatic operation graphical user interface (106) comprises the step of presenting one or more predetermined user input devices (512) to the user of the portable control device (104), wherein at least a portion of the one or more predetermined user input devices (512) comprise one or more of input devices (412) that are sized for reduced dexterity of a user and input devices (422,424, 426, 428) that require one or two user actions.
- 4. The method in accordance with Claim 1 further comprising the step of learning from the parameters over time and adjusting the weighing based on the learning.
- 5. A portable control device (104) for an unmanned vehicle (102), the portable control device (104) comprising:
 - a graphic user interface (GUI) (106) for presenting information to a user of the portable control device (104) and for receiving user inputs thereby; and
 - a controller (208) coupled to the GUI (106) and controlling the operational mode of the portable control device (104), wherein the controller (208) monitors parameters of an operational environment of the portable control device (104), weights the parameters and detected inputs from the portable control device (104), and switches from a manual operation mode to a semi-automatic operation mode in response to the weighting the controller (208) further providing GUI (106) operational signals to the GUI (106) for presenting a semi-automatic operation graphical user interface (106) to the user while in the semi-automatic operation mode, wherein the semi-automatic operation graphical user interface (106) comprises a reduced set of user interfaces for the semi-automatic operation mode presented by the portable control device (104).
- 6. The portable control device (104) in accordance with Claim 5 further comprising an environmental sensor (328) for generating a signal in response to detecting environmental changes within the operational envi-

ronment of the portable control device (104), wherein the controller (208) is coupled to the environmental sensor (328) to monitor the operational environment of the portable control device (104) in response to the signal from the environmental sensor (328).

7. The portable control device (104) in accordance with Claim 5 further comprising a workload measuring module (330) which generates a user workload signal in response to detection of user operation of the portable control device (104) within a predetermined period of time, wherein the controller (208) is coupled to the workload measuring module (330) to monitor user workload within the operational environment of the portable control device (104).
8. The portable control device (104) in accordance with Claim 5 wherein the controller (208) provides GUI (106) operational signals to the GUI (106) for presenting one or more predetermined user input devices (512) to the user of the portable control device (104) as a portion of the reduced set of user interfaces for the semi-automatic operation graphical interface, and wherein at least a portion of the one or more predetermined user input devices (512) comprise one or more of input devices (412) that are sized for reduced dexterity of a user, and input devices (536) that require one or two actions to engage a control feature.
9. The portable control device (104) in accordance with Claim 9 wherein the controller (208) also provides GUI (106) operational signals to the GUI (106) for presenting one or more predetermined user input devices (512) along with the video signal view from the unmanned vehicle (102) as a portion of the reduced set of user interfaces for the semi-automatic operation graphical interface, and wherein at least a portion of the one or more predetermined user input devices (512) comprise one or more input devices (412, 414, 416) selected from a set of input devices comprising an input device (412) that is sized for reduced dexterity of a user, a move now input device (536), a stop now input device (536), a follow user input device (536), a follow an identified object input device (536), a go to an identified location input device (536), a travel in an identified direction input device (536), a search an identified object input device (536), and a search within an identified radius input device (536).

Patentansprüche

1. Verfahren für den halbautomatischen Betrieb einer tragbaren Steuereinrichtung (104) für ein unbemanntes Fahrzeug (102), wobei das Verfahren die folgenden Schritte umfasst:

Überwachen von Parametern einer Arbeitsumgebung der tragbaren Steuereinrichtung (104); Gewichten der Parameter und Detektieren von Eingaben von der tragbaren Steuereinrichtung; Schalten von einem manuellen Arbeitsmodus auf einen halbautomatischen Arbeitsmodus als Reaktion auf die Gewichtung; und während im halbautomatischen Arbeitsmodus, Präsentieren einer grafischen Benutzerschnittstelle (106) für den halbautomatischen Betrieb einem Benutzer der tragbaren Steuereinrichtung (104), wobei die grafische Benutzerschnittstelle (106) für den halbautomatischen Betrieb einen reduzierten Satz von Benutzerschnittstellen für den durch die tragbare Steuereinrichtung (104) präsentierten halbautomatischen Arbeitsmodus umfasst.

2. Verfahren nach Anspruch 1, wobei der Schritt des Überwachens von Parametern der Arbeitsumgebung den Schritt des Bestimmens einer Bewegung der tragbaren Steuereinrichtung (104), Geräusch innerhalb der Arbeitsumgebung der tragbaren Steuereinrichtung (104), einer Benutzerkörperposition oder eines Benutzerbetriebs der tragbaren Steuereinrichtung (104) innerhalb einer vorbestimmten Zeitperiode beinhaltet.
3. Verfahren nach Anspruch 1, wobei der Schritt des Präsentierens der grafischen Benutzerschnittstelle (106) für den halbautomatischen Arbeitsmodus den Schritt des Präsentierens von einer oder mehreren vorbestimmten Benutzereingabeeinrichtungen (512) dem Benutzer der tragbaren Steuereinrichtung (104) umfasst, wobei mindestens ein Teil der einen oder mehreren vorbestimmten Benutzereingabeeinrichtungen (512) eine oder mehrere Eingabeeinrichtungen (412) umfassen, die für eine reduzierte Fertigkeit eines Benutzers bemessen sind, und Eingabeeinrichtungen (422, 424, 426, 428), die eine oder zwei Benutzeraktionen erfordern, umfassen.
4. Verfahren nach Anspruch 1, weiterhin umfassend den Schritt des Lernens von den Parametern im Laufe der Zeit und Einstellen der Gewichtung auf der Basis des Lernens.
5. Tragbare Steuereinrichtung (104) für ein unbemanntes Fahrzeug (102), wobei die tragbare Steuereinrichtung (104) Folgendes umfasst:

eine grafische Benutzerschnittstelle (GUI - Graphic User Interface) (106) zum Präsentieren von Informationen einem Benutzer der tragbaren Steuereinrichtung (104) und zum Empfangen von Benutzereingaben dadurch; und einen Controller (208), der an die GUI (106) gekoppelt ist und den Arbeitsmodus der tragbaren

- Steuereinrichtung (104) steuert, wobei der Controller (208) Parameter einer Arbeitsumgebung der tragbaren Steuereinrichtung (104) überwacht, die Parameter gewichtet und Eingaben von der tragbaren Steuereinrichtung (104) detektiert und von einem manuellen Arbeitsmodus zu einem halbautomatischen Arbeitsmodus als Reaktion auf das Gewichten umschaltet, wobei der Controller (208) weiterhin GUI- (106) Arbeitssignale an die GUI (106) liefert zum Präsentieren einer grafischen Benutzerschnittstelle (106) für den halbautomatischen Betrieb an den Benutzer während im halbautomatischen Arbeitsmodus, wobei die grafische Benutzerschnittstelle (106) für den halbautomatischen Betrieb einen reduzierten Satz von Benutzerschnittstellen für den durch die tragbare Steuereinrichtung (104) präsentierten halbautomatischen Arbeitsmodus umfasst.
6. Tragbare Steuereinrichtung (104) nach Anspruch 5, weiterhin umfassend einen Umgebungssensor (328) zum Generieren eines Signals als Reaktion auf das Detektieren von Umgebungsänderungen in der Arbeitsumgebung der tragbaren Steuereinrichtung (104), wobei der Controller (208) an den Umgebungssensor (328) gekoppelt ist, um die Arbeitsumgebung der tragbaren Steuereinrichtung (104) als Reaktion auf das Signal von dem Umgebungssensor (328) zu überwachen.
7. Tragbare Steuereinrichtung (104) nach Anspruch 5, weiterhin umfassend ein Arbeitslastmessmodul (330), das ein Benutzerarbeitslastsignal als Reaktion auf die Detektion einer Benutzeroperation der tragbaren Steuereinrichtung (104) innerhalb einer vorbestimmten Zeitperiode generiert, wobei der Controller (208) an das Arbeitslastmessmodul (330) gekoppelt ist, um die Benutzerarbeitslast innerhalb der Arbeitsumgebung der tragbaren Steuereinrichtung (104) zu überwachen.
8. Tragbare Steuereinrichtung (104) nach Anspruch 5, wobei der Controller (208) GUI- (106) Arbeitssignale an die GUI (106) liefert zum Präsentieren von einer oder mehreren vorbestimmten Benutzereingabeeinrichtungen (512) dem Benutzer der tragbaren Steuereinrichtung (104) als ein Teil des reduzierten Satzes von Benutzerschnittstellen für die grafische Schnittstelle für den halbautomatischen Betrieb und wobei mindestens ein Teil der einen oder mehreren vorbestimmten Benutzereingabeeinrichtungen (512) eine oder mehrere Eingabeeinrichtungen (412) umfassen, die für eine reduzierte Fertigkeit eines Benutzers bemessen sind, und Eingabeeinrichtungen (536) umfassen, die eine oder zwei Aktionen erfordern, um ein Steuermerkmal zu aktivieren.
9. Tragbare Steuereinrichtung (104) nach Anspruch 9, wobei der Controller (208) auch GUI- (106) Arbeitssignale an die GUI (106) liefert zum Präsentieren von einer oder mehreren vorbestimmten Benutzereingabeeinrichtungen (512) zusammen mit der Videosignalansicht von dem unbemannten Fahrzeug (102) als ein Teil des reduzierten Satzes von Benutzerschnittstellen für die grafische Schnittstelle für den halbautomatischen Betrieb und wobei mindestens ein Teil der einen oder mehreren vorbestimmten Benutzereingabeeinrichtungen (512) eine oder mehrere Eingabeeinrichtungen (412, 414, 416) umfasst, ausgewählt aus einer Menge von Eingabeeinrichtungen umfassend eine Eingabeeinrichtung (412), die bemessen ist für eine reduzierte Fertigkeit eines Benutzers, eine Bewegungs-jetzt-Eingabeeinrichtung (536), eine Stop-pjetzt-Eingabeeinrichtung (536), eine Folge-Benutzer-Eingabeeinrichtung (536), eine Folge-einem-identifizierten-Objekt-Eingabeeinrichtung (536), eine Gehe-zu-einem-identifizierten-Ort-Eingabeeinrichtung (536), einer Reise-in-einer-identifizierten-Richtung-Eingabeeinrichtung (536), einer Suche-einidentifiziertes-Objekt-Eingabeeinrichtung (536) und einer Suche-innerhalb-eines-identifizierten-Radius-Eingabeeinrichtung (536).

Revendications

1. Procédé de fonctionnement semi-automatique d'un dispositif de commande portable (104) pour un véhicule sans pilote (102), le procédé comprenant les étapes consistant à :
- surveiller des paramètres d'un environnement opérationnel du dispositif de commande portable (104) ;
 - réaliser une pondération des paramètres et d'entrées détectées en provenance du dispositif de commande portable ;
 - commuter d'un mode de fonctionnement manuel sur un mode de fonctionnement semi-automatique en réponse à la pondération ; et
 - dans le mode de fonctionnement semi-automatique, présenter une interface utilisateur graphique de fonctionnement semi-automatique (106) à un utilisateur du dispositif de commande portable (104), laquelle interface utilisateur graphique de fonctionnement semi-automatique (106) comprend un ensemble réduit d'interfaces utilisateur pour le mode de fonctionnement semi-automatique présenté par le dispositif de commande portable (104).
2. Procédé selon la revendication 1, dans lequel l'étape consistant à surveiller des paramètres de l'environnement opérationnel comprend l'étape consistant à

établir l'un des paramètres suivants : un mouvement du dispositif de commande portable (104), du bruit dans l'environnement opérationnel du dispositif de commande portable (104), une position du corps de l'utilisateur ou une utilisation du dispositif de commande portable (104) par l'utilisateur dans un laps de temps prédéfini.

3. Procédé selon la revendication 1, dans lequel l'étape consistant à présenter l'interface utilisateur graphique de fonctionnement semi-automatique (106) comprend l'étape consistant à présenter un ou plusieurs dispositifs d'entrée utilisateur prédéfinis (512) à l'utilisateur du dispositif de commande portable (104), au moins une partie duquel ou desquels dispositifs d'entrée utilisateur prédéfinis (512) comprend un ou plusieurs dispositifs parmi des dispositifs d'entrée (412) qui sont dimensionnés pour une dextérité réduite de l'utilisateur et parmi des dispositifs d'entrée (422, 424, 426, 428) qui nécessitent une ou deux actions de la part de l'utilisateur.
4. Procédé selon la revendication 1, comprenant en outre l'étape consistant à tirer un enseignement des paramètres au fil du temps et à corriger la pondération en fonction de l'enseignement tiré.
5. Dispositif de commande portable (104) pour un véhicule sans pilote (102), le dispositif de commande portable (104) comprenant :

une interface utilisateur graphique (GUI) (106) pour présenter des informations à un utilisateur du dispositif de commande portable (104) et pour recevoir des entrées de la part de l'utilisateur ; et

un contrôleur (208) couplé à la GUI (106) et commandant le mode de fonctionnement du dispositif de commande portable (104), lequel contrôleur (208) surveille des paramètres d'un environnement opérationnel du dispositif de commande portable (104), réalise une pondération des paramètres et d'entrées détectées en provenance du dispositif de commande portable (104) et commute d'un mode de fonctionnement manuel sur un mode de fonctionnement semi-automatique en réponse à la pondération, le contrôleur (208) appliquant en outre des signaux opérationnels de GUI (106) à la GUI (106) pour présenter une interface utilisateur graphique de fonctionnement semi-automatique (106) à l'utilisateur dans le mode de fonctionnement semi-automatique, laquelle interface utilisateur graphique de fonctionnement semi-automatique (106) comprend un ensemble réduit d'interfaces utilisateur pour le mode de fonctionnement semi-automatique présenté par le dispositif de commande portable (104).

6. Dispositif de commande portable (104) selon la revendication 5, comprenant en outre un capteur environnemental (328) pour générer un signal en réponse à la détection de variations environnementales au sein de l'environnement opérationnel du dispositif de commande portable (104), lequel contrôleur (208) est couplé au capteur environnemental (328) pour surveiller l'environnement opérationnel du dispositif de commande portable (104) en réponse au signal en provenance du capteur environnemental (328).
7. Dispositif de commande portable (104) selon la revendication 5, comprenant en outre un module de mesure de charge de travail (330) qui génère un signal de charge de travail utilisateur en réponse à la détection d'une utilisation du dispositif de commande portable (104) par l'utilisateur dans un laps de temps prédéfini, lequel contrôleur (208) est couplé au module de mesure de charge de travail (330) pour surveiller la charge de travail de l'utilisateur dans l'environnement opérationnel du dispositif de commande portable (104).
8. Dispositif de commande portable (104) selon la revendication 5, dans lequel le contrôleur (208) applique des signaux opérationnels de GUI (106) à la GUI (106) pour présenter un ou plusieurs dispositifs d'entrée utilisateur prédéfinis (512) à l'utilisateur du dispositif de commande portable (104) sous la forme d'une partie de l'ensemble réduit d'interfaces utilisateur pour l'interface graphique de fonctionnement semi-automatique, et au moins une partie duquel ou desquels dispositifs d'entrée utilisateur prédéfinis (512) comprend un ou plusieurs dispositifs parmi des dispositifs d'entrée (412) qui sont dimensionnés pour une dextérité réduite de l'utilisateur et parmi des dispositifs d'entrée (536) qui nécessitent une ou deux actions pour activer une fonction de commande.
9. Dispositif de commande portable (104) selon la revendication 9, dans lequel le contrôleur (208) applique également des signaux opérationnels de GUI (106) à la GUI (106) pour présenter un ou plusieurs dispositifs d'entrée utilisateur prédéfinis (512) conjointement avec la visualisation du signal vidéo en provenance du véhicule sans pilote (102) sous la forme d'une partie de l'ensemble réduit d'interfaces utilisateur pour l'interface graphique de fonctionnement semi-automatique, et au moins une partie duquel ou desquels dispositifs d'entrée utilisateur prédéfinis (512) comprend un ou plusieurs dispositifs d'entrée (412, 414, 416) sélectionnés parmi un ensemble de dispositifs d'entrée comprenant un dispositif d'entrée (412) qui est dimensionné pour une dextérité réduite de l'utilisateur, un dispositif d'entrée SE METTRE EN MOUVEMENT IMMEDIATEMENT

(536), un dispositif d'entrée S'ARRETER IMMEDIATEMENT (536), un dispositif d'entrée SUIVRE L'UTILISATEUR (536), un dispositif d'entrée SUIVRE UN OBJET IDENTIFIE (536), un dispositif d'entrée REJOINDRE UN ENDROIT IDENTIFIE (536), un dispositif d'entrée SE DEPLACER DANS UNE DIRECTION IDENTIFIEE (536), un dispositif d'entrée RECHERCHER UN OBJET IDENTIFIE (536) et un dispositif d'entrée RECHERCHER DANS UN RAYON IDENTIFIE (536).

5

10

15

20

25

30

35

40

45

50

55

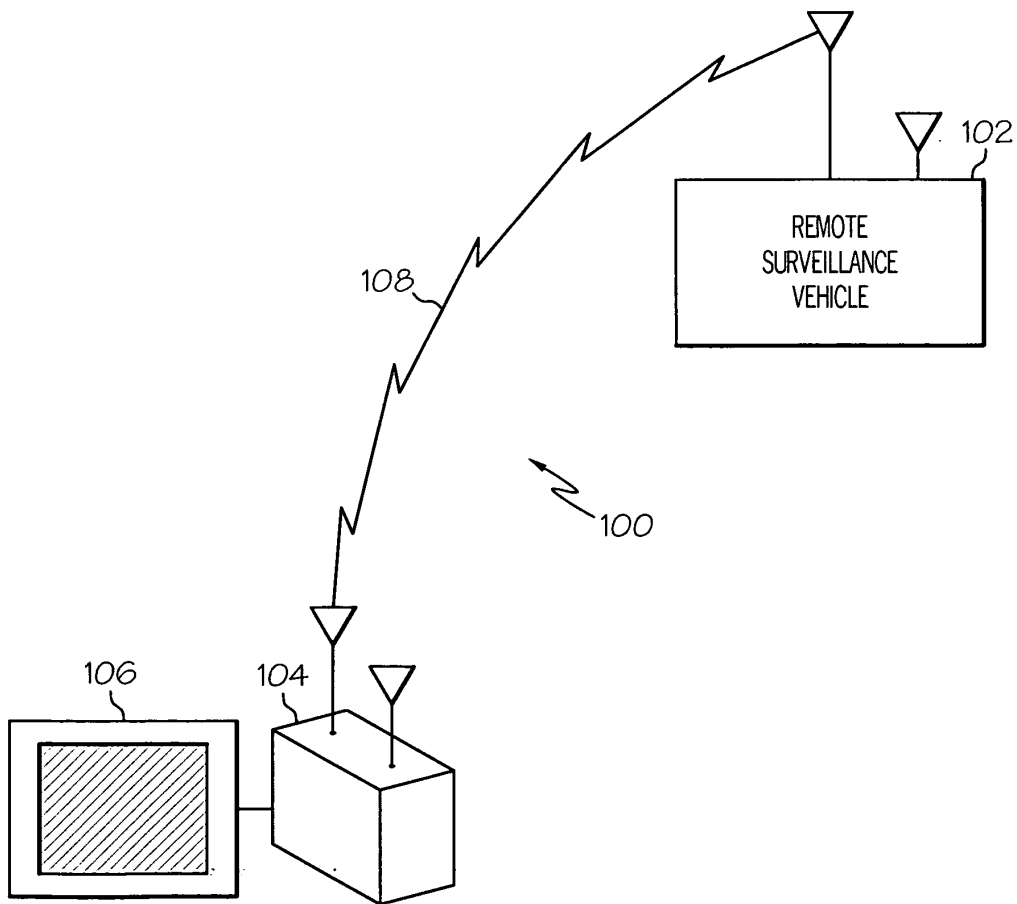


FIG. 1

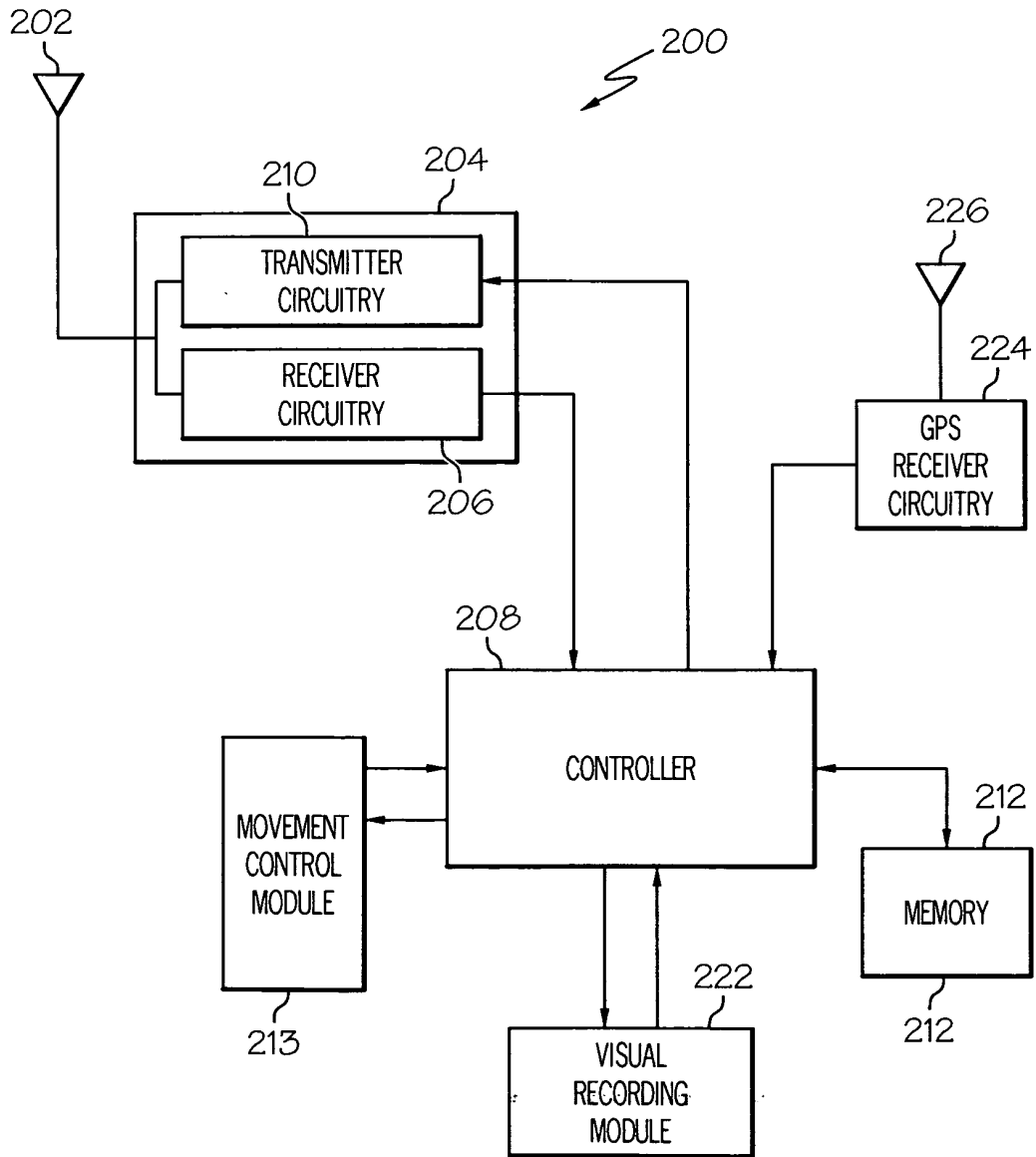


FIG. 2

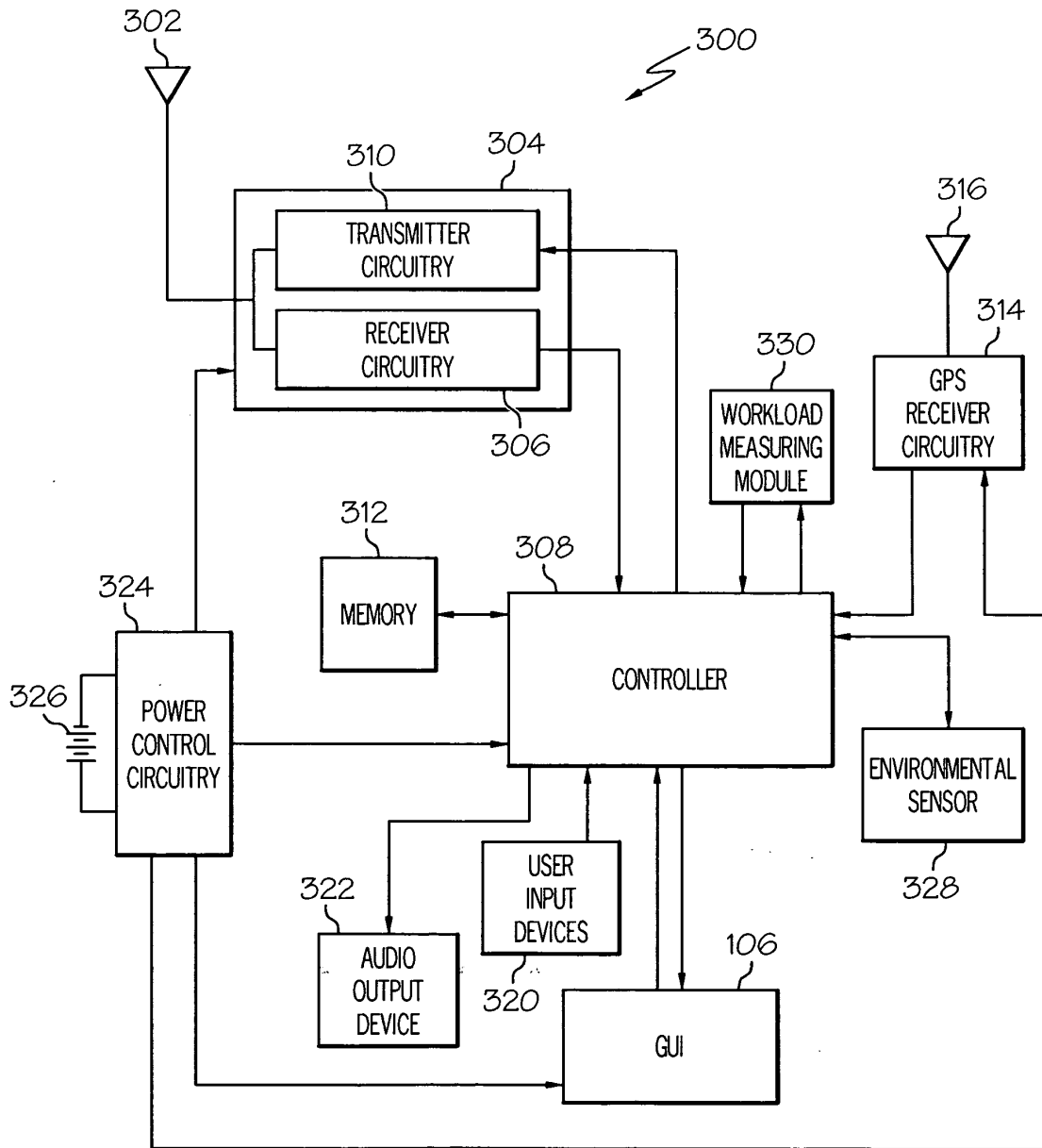


FIG. 3

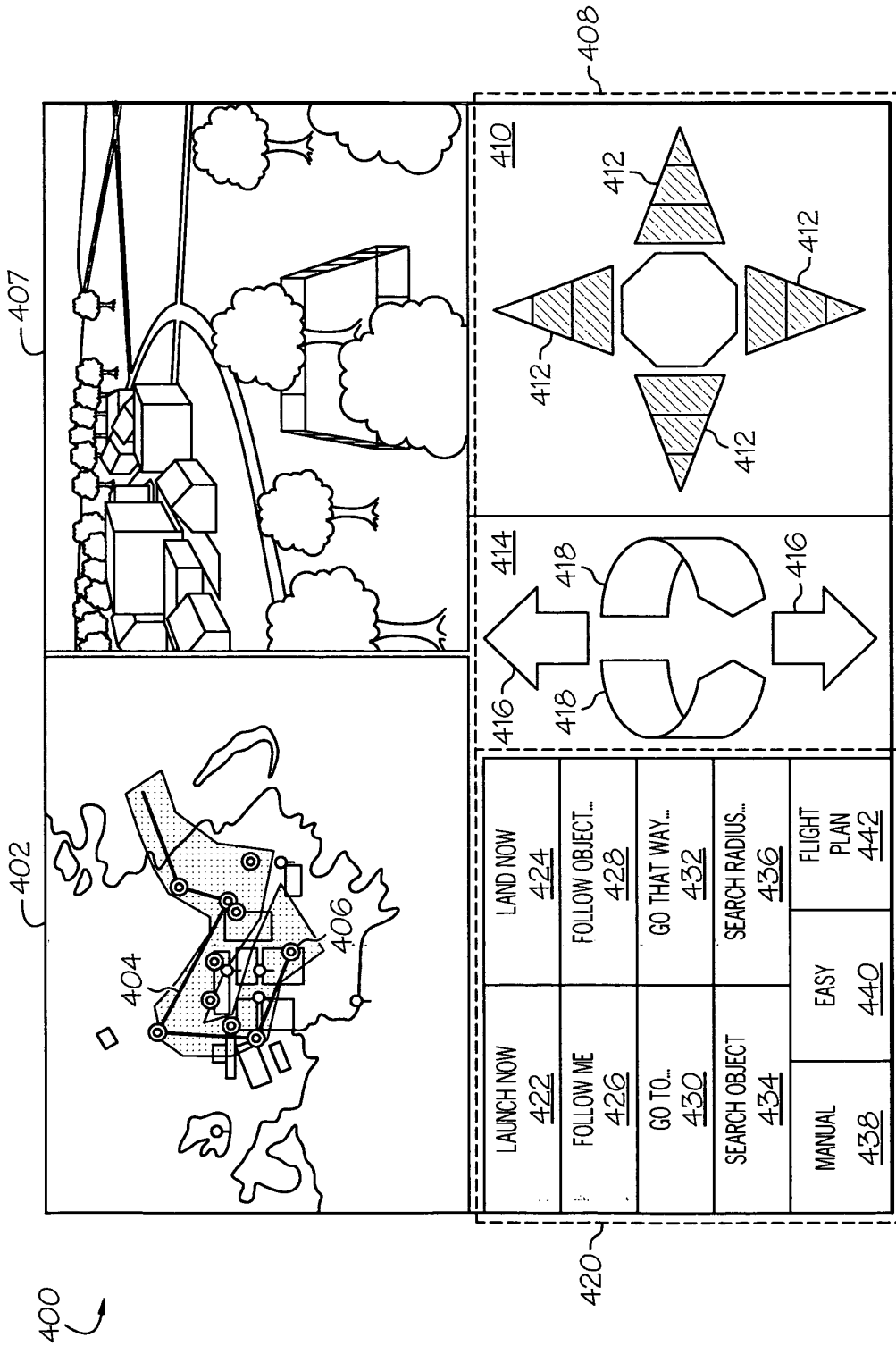


FIG. 4

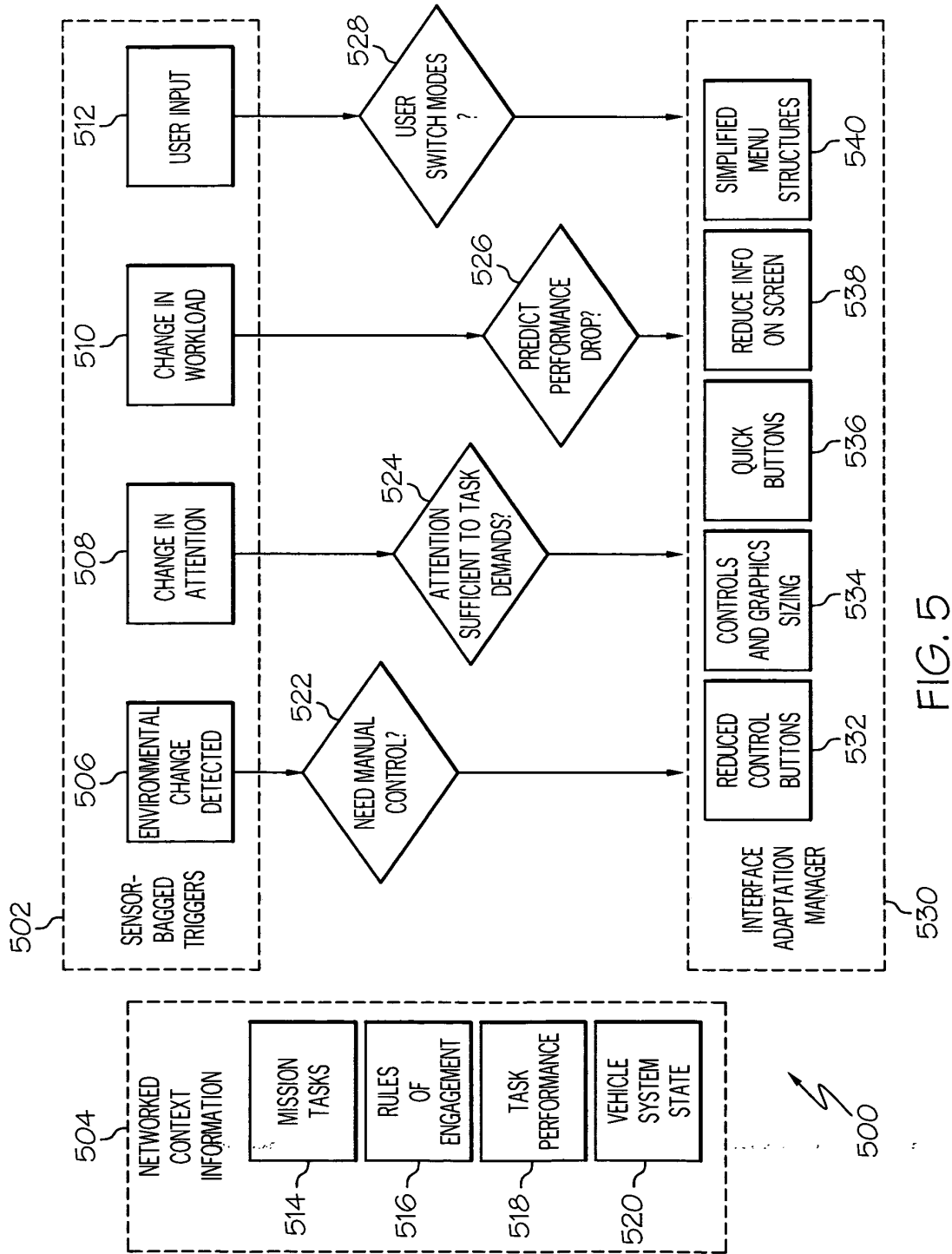


FIG. 5

REFERENCES CITED IN THE DESCRIPTION

This list of references cited by the applicant is for the reader's convenience only. It does not form part of the European patent document. Even though great care has been taken in compiling the references, errors or omissions cannot be excluded and the EPO disclaims all liability in this regard.

Non-patent literature cited in the description

- **MITCHELL M. ROHDE et al.** Seme-Autonomous urg control with intuitive interface. *Proc. of SPIE*, vol. 6962 [0004]